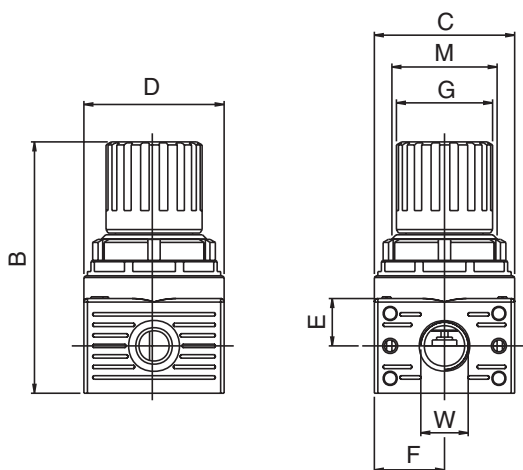


# Mini Regulators



### Main features

Rolling membrane regulation valve with secondary air bleed, admission pressure compensation, without intrinsic consumption, with detend-stop adjusting knob.

### Technical information

Operating pressure in p1: Max. 15 bar at 20° C  
 Operating pressure out p2: 0 bar ... 12 bar, others on request  
 Operating medium: Compressed air  
 Operating temperature: -10° C ... + 50° C  
 Installation positioning: Vertical  
 Materials: Body: Technopolymer  
 Gaskets: NBR  
 Filter: Sintered bronze  
 End parts: Die-cast zinc

Pressure gauge (included in delivery):  
 Accuracy class: 1,6  
 Diameter: 40 mm  
 Connecting thread: G 1/8 "  
 Indicator range: 0 ... 12 bar

R-0	
A	
B	74
C	40
D	40
E	13,5
G	27,5
I	27
J	
K	
L	
M	
W	1/8"-1/4"

Family	Port Size	Flow Rate qnN*	Part Number
Mini (0)	G 1/8"	600 l/min	R-0-1/8
Mini (0)	G 1/4"	600 l/min	R-0-1/4

\* Measured at p1=10 bar, p2=6 bar, Δp=1 bar according to CETOP RP 50P

